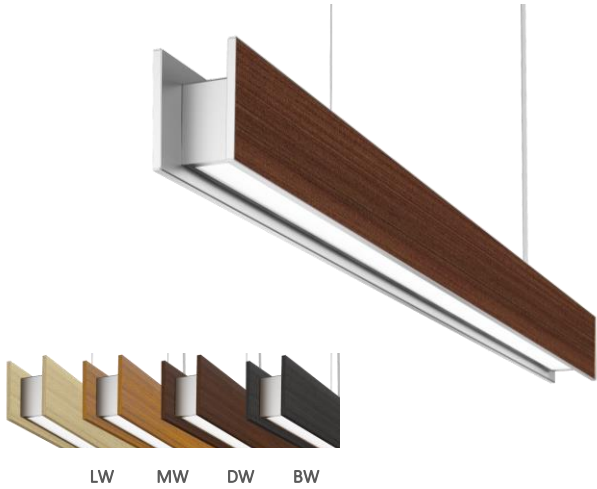


# W2 'WOODY'

Suspended LED Luminaire  
For Ambient Lighting



Project: \_\_\_\_\_  
 Cat#: \_\_\_\_\_  
 Type: \_\_\_\_\_  
 Notes: \_\_\_\_\_

### Product Description

The W2 indirect/direct or direct only LED Luminaire adds the warmth of a real wood and metallic trim to a slim modern architectural pendant for general lighting applications. The W2 is constructed with real wood materials and available in a variety of standard finishes. Optional Performance Batwing upper optics and Performance Optic or Baffle/Louver configurations for lower distribution.

### Construction

The W2 is constructed out of die formed steel and aluminum and real wood materials. Real wood fascia utilizes Engineered Veneers utilizing sustainable fast growth forests and not exotic hardwoods. Lenses are high light transmission UV stable acrylic. Mounting to grid or drywall ceiling via fully adjustable aircraft cables.

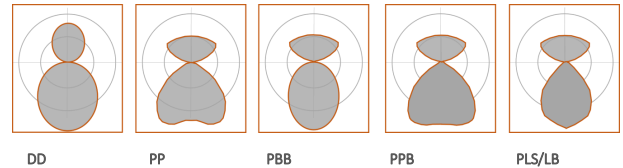
### Light Source

Light source comprised of mid power LEDs that are thermally engineered to ensure optimal efficacy's up to 118 lumens per watt and 80+ CRI. Luminaire light output guaranteed to achieve a minimum of 70% luminaire output over 100,000 hours at typical 25 deg. C operating conditions. LED components and luminaires are compliant with IESNA LM80.

### Certification and Warranty

Luminaires carry a limited 5 year warranty and all luminaires are UL listed for indoor damp rated lighting applications.

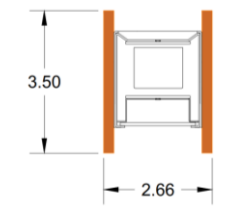
### Performance



Indirect/Direct	System Lumens (System Watts)			
	Optics			
Lumens	DD	PD	DP	PP
750 lm/ft	3223lm (27.3w)	3232lm (27.3w)	3106lm (27.3w)	3115lm (27.3w)
1000 lm/ft	4100lm (34.9w)	4106lm (34.9w)	3950lm (34.9w)	3956lm (34.9w)
1350 lm/ft	5403lm (48.9w)	5559lm (48.9w)	5289lm (48.9w)	5322lm (48.9w)

Fixture Data for 3500K 4' Fixture. Lumens/Efficacy multiplier 0.97 for 3000K and 1.03 for 4000K. Test data may vary by +/- 5%.  
 See Page 3 for additional data

### Dimensions



### Fixture Options

Example W280-DD-37-1000F-35K-010-M-1C-A4-W-ST-MW

Series	W240 W280	43.5" Pendant 84.5" Pendant	WI __
Optics Up	D P N	Diffuse Lambertian Lens (Standard) Performance Batwing Optic No Optic (100% Down Light)	
Optics Down	D P BB PB LS LB	Standard Diffuse Lens Performance Lens Black Baffle Performance Baffle Louver Semi Specular Louver Black	
Distribution	37 01	30%up / 70%dn 100% down	
Light Level	750F 1000F 1350F	750 lm per ft 1000lm per ft 1300lm per ft*	
Color	30K 35K 40K	3000K 3500K 4000K	
Driver	010 STD	0-10 volt Dimming STD Switched Driver	
Power	M	120-277 Universal	
Circuits	1C 2C	Single Circuit 2 Circuit Up/Down – 84" Sections Only	
Mounting	A4 A10	Aircraft Cable 4' Adjustable Aircraft Cable 10' Adjustable	
Mounting Color	W B	White Cords and Canopies (STD) Black Cords and Canopies	
Ceiling	G1 G9 GS ST	15/16" Grid Ceiling 9/16" Grid Ceiling Slot Grid Ceiling Drywall/Structure	
Finish Wood	LW MW DW BW	Light Wood Finish Medium Wood Finish Dark Wood Finish Black Wood	
Finish Channel / End	CB CW CC	Silver Standard (Leave Blank) Black Channel White Channel Custom Color Channel	
Options		Consult Factory	

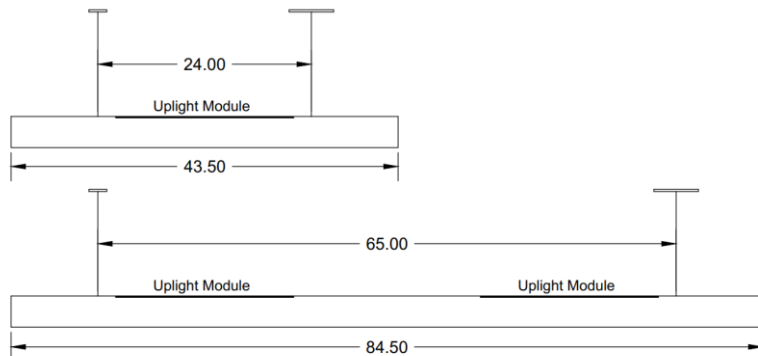
# W2 'WOODY'

## Suspended LED Luminaire

For Ambient Lighting

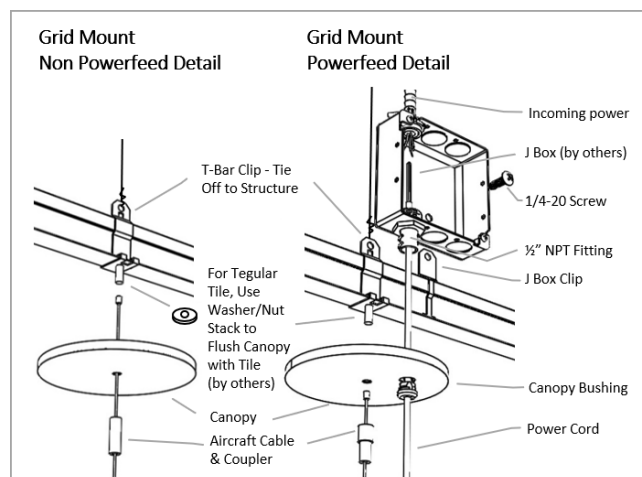
### Fixture Lengths

Individual Fixtures Only – See LN Versions for Continuous Runs

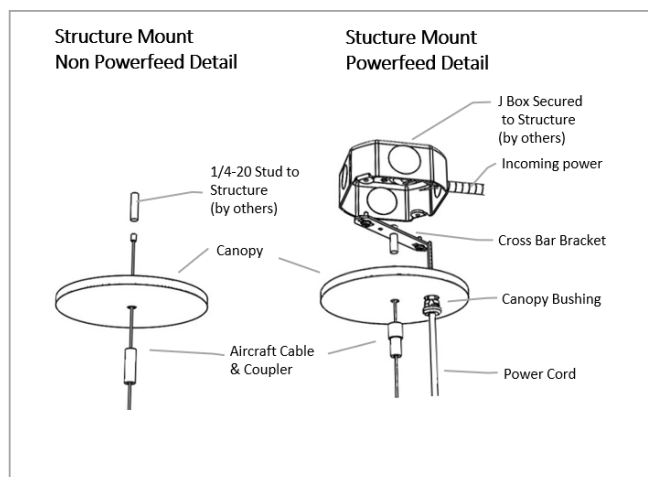


### Mounting

G1, G9, GS - Grid



ST-Ceiling Drywall / Structure



### Optics

Down Light Options



D-Diffuse Lambertian Lens

BB/PB-Black Baffle/Perform Baffle

LS/LB-Louver Silver/Black

# W2 'WOODY'

## Suspended LED Luminaire

For Ambient Lighting

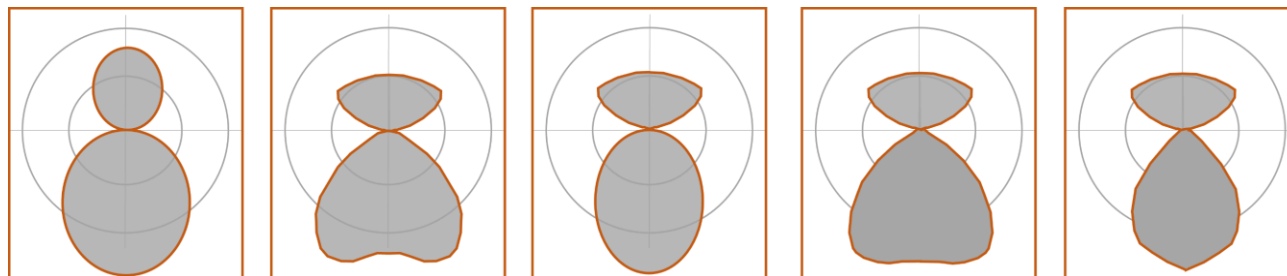


### Performance

Fixture Data for 3500K 4' Fixture

Lumens/Efficacy multiplier 0.97 for 3000K and 1.03 for 4000K.

Test data may vary by +/- 5



DD -Diffuse Up/Diffuse Down

PP-Performance up/Perform Dn

PBB-Performance Up/Baffle Dn

PPB-Perform Up/Perf Baffle Dn

PLS/LB-Perform Up/Louwer

Indirect/Direct	System Lumens (System Watts)											
	Optics Up/Down											
Lumens	DD	PD	DP	PP	DBB	DPB	DLS	DLB	PBB	PPB	PLS	PLB
750 lm/ft	3223lm (27.3w)	3232lm (27.3w)	3106lm (27.3w)	3115lm (27.3w)	2747lm (27.3w)	2529lm (27.3w)	2833lm (27.3w)	2557lm (27.3w)	2756lm (27.3w)	2538lm (27.3w)	2842lm (27.3w)	2567lm (27.3w)
1000 lm/ft	4100lm (34.9w)	4106lm (34.9w)	3950lm (34.9w)	3956lm (34.9w)	3492lm (34.9w)	3214lm (34.9w)	3602lm (34.9w)	3250lm (34.9w)	3498lm (34.9w)	3220lm (34.9w)	3608lm (34.9w)	3256lm (34.9w)
1350 lm/ft	5403lm (48.9w)	5559lm (48.9w)	5289lm (48.9w)	5322lm (48.9w)	4720lm (48.9w)	4340lm (48.9w)	4862lm (48.9w)	4340lm (48.9w)	4753lm (48.9w)	4373lm (48.9w)	4895lm (48.9w)	4373lm (48.9w)

Fixture Data for 3500K 4' Fixture. Lumens/Efficacy multiplier 0.97 for 3000K and 1.03 for 4000K. Test data may vary by +/- 5

Direct Only	System Lumens (System Watts)					
	Optics Down					
Lumens	D	P	BB	PB	LS	LB
750 lm/ft	3085lm (30.3w)	2903lm (30.3w)	2379lm (30.3w)	2008lm (30.3w)	2479lm (30.3w)	2058lm (30.3w)
1000 lm/ft	4015lm (38.6w)	3778lm (38.6w)	3097lm (38.6w)	2613lm (38.6w)	3227lm (38.6w)	2679lm (38.6w)
1350 lm/ft	5383lm (56.1w)	5066lm (56.1w)	4153lm (56.1w)	3504lm (56.1w)	4327lm (56.1w)	3592lm (56.1w)

Fixture Data for 3500K 4' Fixture. Lumens/Efficacy multiplier 0.97 for 3000K and 1.03 for 4000K. Test data may vary by +/- 5