

M6B

Suspended Bidirectional Luminaire
For Ambient Lighting

PRELIMINARY



Project: _____
 Cat#: _____
 Type: _____
 Notes: _____

Fixture Options

Example M6B1-P-D-82-1000F-35K-010-M-1C-A4-W-G1-WH-04

Series	M6B1	6" Suspended Bidirectional Open	M6B1
Optics Up	P A	Std Open Batwing Distribution Acrylic Dust Cover (Reduces Uplight 10%)	
Optics Down	D P BB	Standard Diffuse Lens Performance Batwing Lens Baffle Black	
Distribution	82 64 55	80% Up 20% Down (standard) 60% Up 40% Down 50% Up 50% Down	
Light Level	375F 500F 750F 1000F 1250F 1500F	375lm per ft 500lm per ft 750lm per ft 1000lm per ft 1250lm per ft 1500lm per ft	
Color	30K 35K 40K	3000K 3500K 4000K	
Driver	010	0-10 volt Dimming to 1%	
Power	M	120-277	
Circuits	1C	Single Circuit	
Mounting	A4 A10	Aircraft Cable 4' Adjustable Aircraft Cable 10' Adjustable	
Mounting Color	W B	White Cords and Canopies (STD) Black Cords and Canopies	
Ceiling	G1 G9 GS ST	15/16" Grid Ceiling 9/16" Grid Ceiling Slot Grid Ceiling Drywall/Structure	
Finish	WH SM BK CC	Standard White Silver Metallic Black Texture Custom Color Finish	
Length	04 06 08 xx EB	4' Individual Fixture 6' Individual Fixture 8' Individual Fixture Continuous Row (2' increments) Emergency Battery	

Product Description

Slim profile Suspended Bidirectional Up/Down Distribution and Integral Driver. Downlight Diffuse Lens aperture minimizes brightness with optional Baffle or Batwing Optics. Uplight Optics with Performance Batwing distributions.

Construction

Constructed with die formed steel and aluminum components. Lenses are extruded high light transmission UV stable acrylic. Available in white, silver, black or custom powder coat finishes.

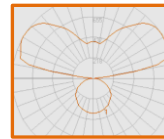
Light Source

Light source comprised of name brand mid power LEDs that are thermally engineered to ensure optimal efficacies and 80+ CRI. Luminaire light output guaranteed to achieve a minimum of 70% luminaire output over 100,000 hours at typical 25 deg. C operating conditions.

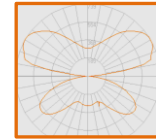
Certification and Warranty

Luminaires carry a limited 5-year warranty. Luminaires are UL listed for indoor damp rated lighting applications.

Performance



M6B1-O-D-82

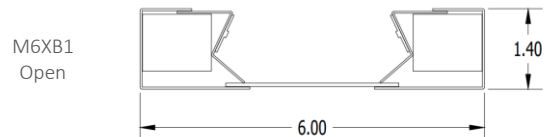


M6B1-O-P-64

MXB1-O-P-64	System Lumens
	Distribution
Light Level	60Up/40Dn
750 lm/ft	3092lm (23.1w)
1000 lm/ft	4106lm (31.0w)
1250 lm/ft	5139lm (39.4w)
1500 lm/ft	6090lm (46.9w)

Preliminary Fixture Data for MXB1-P-D-35K 4' Fixture, Lumens/Efficacy multiplier 0.97 for 3000K and 1.03 for 4000K. Test data may vary by +/- 5%

Dimensions



M6B1
Open

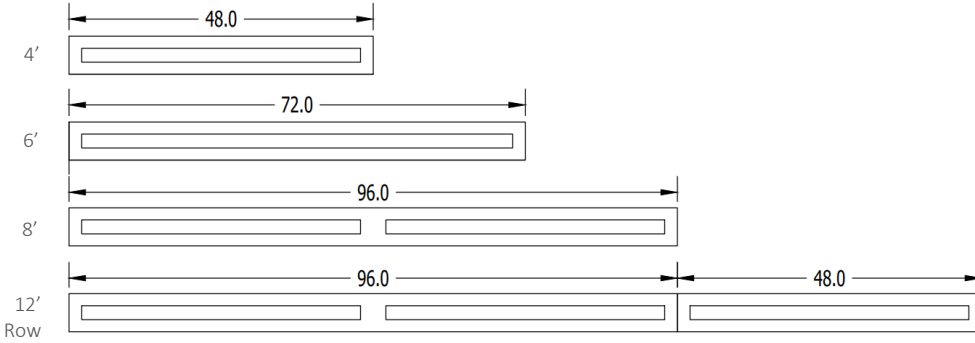
x

M6B

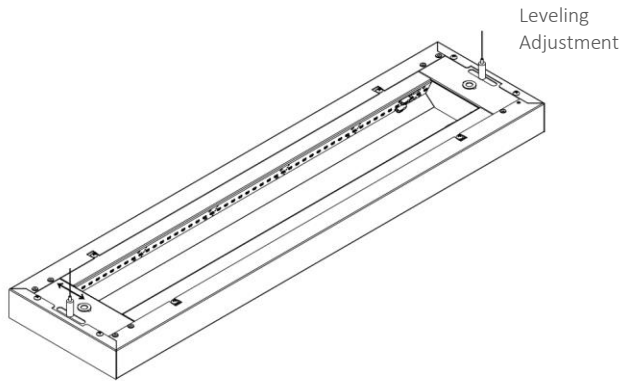
Suspended Bidirectional Luminaire
For Ambient Lighting

Fixture / Row Lengths

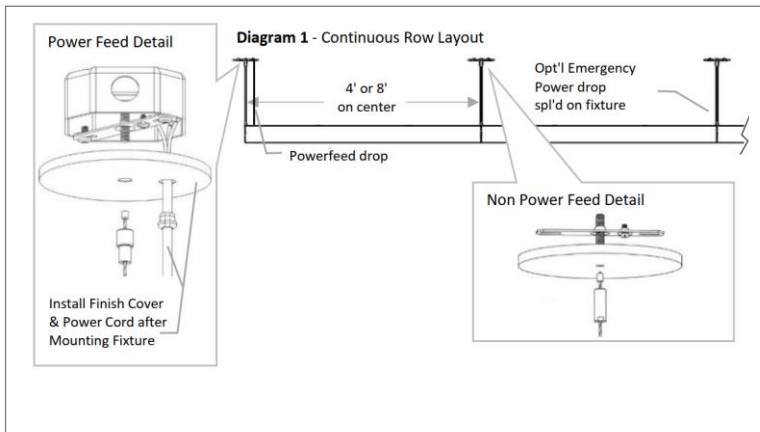
Individual Fixtures Sections Combine for Continuous Rows in 2' Increments.



Mounting AC Cable



ST- Drywall / Structure



G1, G9, GS - Grid Ceiling

