

L61B/L62B/L63B/L64B

Suspended Bidirectional Ind/Dir Linear LED Luminaire
For Ambient Lighting



Project: _____
 Cat#: _____
 Type: _____
 Notes: _____

Fixture Options

Example L63B-D-D-750-1000-35K-010-M-1C-A4-W-G1-WH-16

Series	L61B L62B L63B L64B	1" Nominal Aperture 2" Nominal Aperture 3" Nominal Aperture 4" Nominal Aperture
Optics Up	D P	Diffuse Lens Performance Batwing
Optics Down	D	Standard Diffuse Lens
Indirect Distribution	375F	375 Lumens per FT
	500F	500 Lumens per FT
	750F	750 Lumens per FT
Direct Distribution	1000F	1000 Lumens per FT
	1250F	1250 Lumens per FT* *(L63/L64 Downlight Only)
Color	30K	3000K
	35K	3500K
	40K	4000K
	T26	Tunable White 2700K-6500K
Driver	010	0-10 volt Dimming to 1%
	DAL	DALI 2.0 Driver
	DEX	Dexal Driver
Power	M	120-277
	3	347
Circuits	1C	Single Circuit
	2C	2 Circuit Up/Down Switching
Mounting	A4	Aircraft Cable 4' Adjustable
	A10	Aircraft Cable 10' Adjustable
Mounting Color	W	White Cords and Canopies (STD)
	B	Black Cords and Canopies
Ceiling	G1	15/16" Grid Ceiling
	G9	9/16" Grid Ceiling
	GS	Slot Grid Ceiling
	ST	Drywall/Structure
Finish	WH	White Finish
	BK	Black Finish
	SM	Silver Metallic Finish
	CC	Custom Color Finish
Length (ft)	02	2' Individual Fixture
	03	3' Individual Fixture
	04	4' Individual Fixture
	05	5' Individual Fixture
	06	6' Individual Fixture
	07	7' Individual Fixture
	08	8' Individual Fixture
	xx	Row Length (1' Increments)
Options	EB	Emergency Battery Pack – 1000Lm Consult Factory for Options

Product Description

The L6B suspended Bidirectional indirect/direct linear LED Luminaire is a slim rectilinear profile suitable for individual or continuous row mounting. Available in 1", 2", 3" or 4" nominal aperture sizes. Variable up and downlight distributions and optional Performance Batwing upper optics.

Construction

The L6 housing is constructed out of extruded aluminum and is available in standard white, silver, black or custom powder coat finishes. Lenses are extruded high light transmission UV stable acrylic. Mounting to grid or structure/drywall ceiling via fully adjustable aircraft cables.

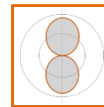
Light Source

Light source comprised of mid power LEDs that are thermally engineered to ensure optimal efficacy's up to 125 lumens per watt and 80+ CRI. Luminaire light output guaranteed to achieve a minimum of 70% luminaire output over 100,000 hours at typical 25 deg. C operating conditions. LED components and luminaires are compliant with IESNA LM80.

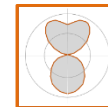
Certification and Warranty

Luminaires carry a limited 5 year warranty and all luminaires are UL listed for indoor damp rated lighting applications.

Performance



Standard D-Diffuse Upper Optic

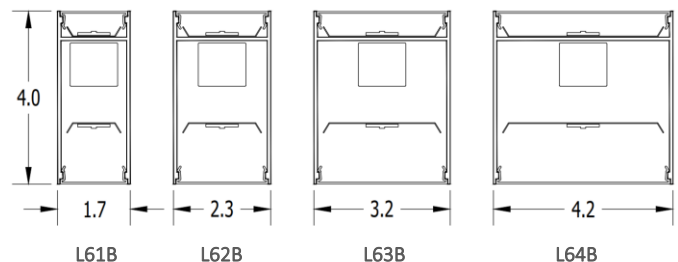


Optional P-Performance Upper Optic

L63B-D-D	System Lumens (System Watts) for 4' Fixture			
	Lumens Up			
Lumens Down	375 lm/ft	500 lm/ft	750 lm/ft	1000 lm/ft
375 lm/ft	2911lm (24.0w)	3384lm (28.0w)	4396lm (36.0w)	5361lm (45.0w)
500 lm/ft	3376lm (29.0w)	3850lm (33.2w)	4861lm (40.3w)	5826lm (46.0w)
750 lm/ft	4392lm (39.0w)	4866lm (41.9w)	5878lm (50.5w)	6843lm (55.2w)
1000 lm/ft	5366lm (49.0w)	5839lm (51.5w)	6851lm (59.3w)	7816lm (65.5w)
1250 lm/ft	6315lm (59.w)	6789lm (62.4w)	7800lm (70.3w)	8765lm (76.4w)

Fixture Data for 3500K 4' Fixture. Lumens/Efficacy multiplier 0.97 for 3000K and 1.03 for 4000K. Test data may vary by +/- 5%. See Page 3 for additional data.

Dimensions



Due to ongoing product improvements, specifications are subject to change without notice. Consult website for latest information. www.mojoillum.com

© MOJO ILLUMINATION LLC 2021

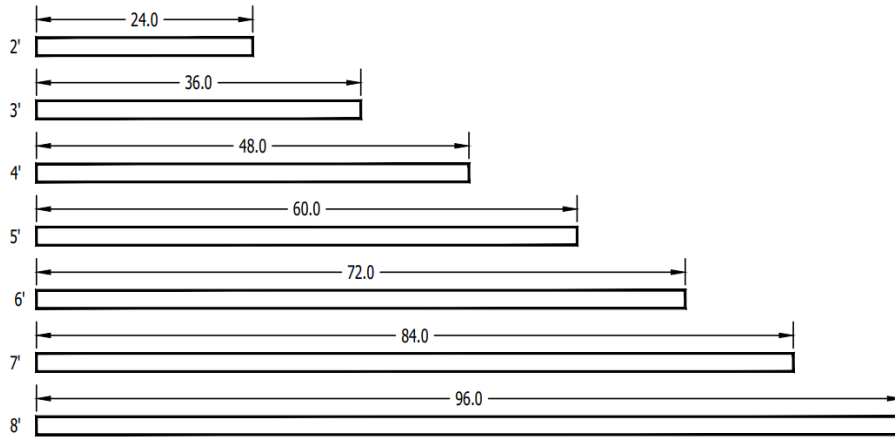


L61B/L62B/L63B/L64B

Suspended Bidirectional Ind/Dir Linear LED Luminaire
For Ambient Lighting

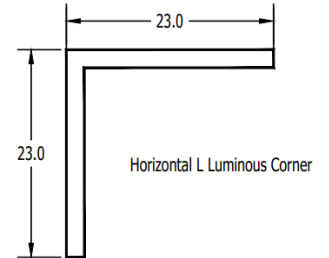
Fixture Sections Lengths

Add 1/2" for end plates



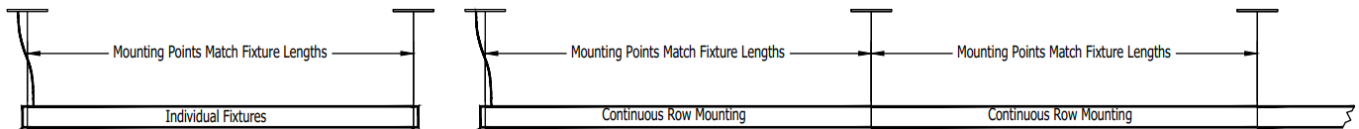
Corners

Consult Factory for other Patterns



Fixture / Row Lengths

Add 1/2" for end plates

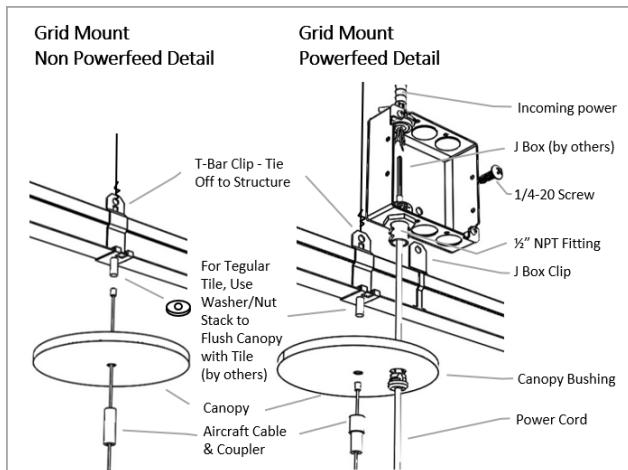


Row Lengths

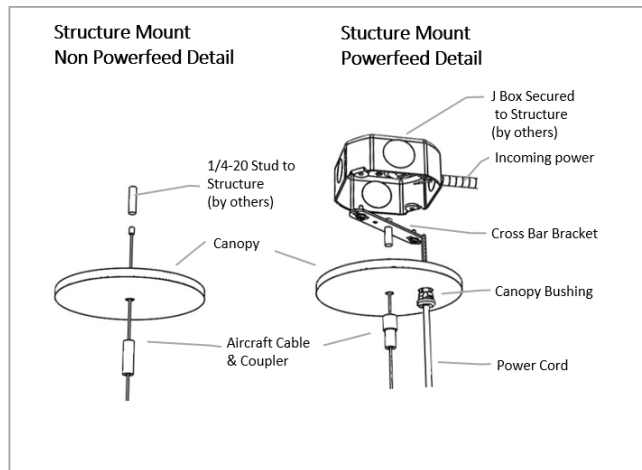
Fixture Sections	2	3	4	5	6	7	8	9	10	11	12	13	14	15	16	17	18	19	20	21	22	23	24	25	26	27	28	29	30	31	32	33	34	35	36	37	38	39	40							
2	1																																													
3		1																																												
4			1						1	1	1	1					1	1	1	1																										
5				1					1								1				1																									
6					1					1								1				1																								
7						1					1								1				1																							
8							1					1	1	1	1	2	1	1	1	1	2	2	2	2	3	2	2	2	3	3	3	3	4	3	3	3	4	4	4	4	4	4	5			

Mounting

G1, G9, GS - Grid



ST-Ceiling Drywall / Structure



Due to ongoing product improvements, specifications are subject to change without notice. Consult website for latest information. www.mojoillum.com

© MOJO ILLUMINATION LLC 2021

L61B/L62B/L63B/L64B

Suspended Bidirectional Ind/Dir Linear LED Luminaire
For Ambient Lighting



Performance

Fixture Data for 3500K 4' Fixture

Lumens/Efficacy multiplier 0.97 for 3000K and 1.03 for 4000K.

Test data may vary by +/- 5%

L61B-D-D	System Lumens (System Watts) for 4' Fixture			
	Lumens Up			
Lumens Down	375 lm/ft	500 lm/ft	750 lm/ft	1000 lm/ft
375 lm/ft	2899lm (30.6w)	3410lm (35.0w)	4350lm (44.0w)	5322lm (53.1w)
500 lm/ft	3390lm (36.7w)	3901lm (41.1w)	4841lm (50.1w)	5813lm (59.2w)
750 lm/ft	4372lm (50.3w)	4884lm (54.6w)	5827lm (63.6w)	6799lm (72.72w)
1000 lm/ft	5292lm (65.5w)	5803lm (69.9w)	6746lm (78.9w)	7718lm (87.9w)

L62B-D-D	System Lumens (System Watts) for 4' Fixture			
	Lumens Up			
Lumens Down	375 lm/ft	500 lm/ft	750 lm/ft	1000 lm/ft
375 lm/ft	2936lm (25.1w)	3411lm (28.4w)	4391lm (36.0w)	5393lm (44.0w)
500 lm/ft	3468lm (29.8w)	3943lm (33.1w)	4924lm (40.8w)	5926lm (48.8w)
750 lm/ft	4427lm (39.7w)	4902lm (43.0w)	5882lm (50.6w)	6884lm (58.7w)
1000 lm/ft	5374lm (49.8w)	5848lm (53.1w)	6829lm (60.7w)	7831lm (68.8w)

L63B-D-D	System Lumens (System Watts) for 4' Fixture			
	Lumens Up			
Lumens Down	375 lm/ft	500 lm/ft	750 lm/ft	1000 lm/ft
375 lm/ft	2911lm (24.0w)	3384lm (28.0w)	4396lm (36.0w)	5361lm (45.0w)
500 lm/ft	3376lm (29.0w)	3850lm (33.2w)	4861lm (40.3w)	5826lm (46.0w)
750 lm/ft	4392lm (39.0w)	4866lm (41.9w)	5878lm (50.5w)	6843lm (55.2w)
1000 lm/ft	5366lm (49.0w)	5839lm (51.5w)	6851lm (59.3w)	7816lm (65.5w)
1250 lm/ft	6315lm (59.w)	6789lm (62.4w)	7800lm (70.3w)	8765lm (76.4w)

L64B-D-D	System Lumens (System Watts) for 4' Fixture			
	Lumens Up			
Lumens Down	375 lm/ft	500 lm/ft	750 lm/ft	1000 lm/ft
375 lm/ft	2945lm (25.0w)	3419lm (28.4w)	4383lm (35.2w)	5334lm (42.7w)
500 lm/ft	3383lm (28.9w)	3984lm (32.4w)	4820lm (39.1w)	5772lm (46.6w)
750 lm/ft	4359lm (37.9w)	4833lm (41.4w)	5797lm (48.1w)	6748lm (55.6w)
1000 lm/ft	5322lm (47.5w)	5795lm (51.0w)	6759lm (57.7w)	7711lm (65.3w)
1250 lm/ft	6328lm (59.0w)	6801lm (62.4w)	7766lm (69.2w)	8717lm (76.7w)

Due to ongoing product improvements, specifications are subject to change without notice. Consult website for latest information. www.mojillum.com

© MOJO ILLUMINATION LLC 2021

