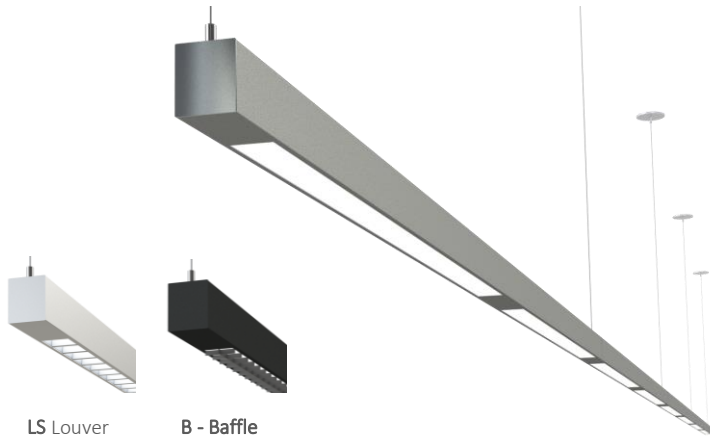


# LOLN Linear

## Suspended LED Luminaire

For Ambient Lighting



LS Louver

B - Baffle

Project: \_\_\_\_\_  
 Cat#: \_\_\_\_\_  
 Type: \_\_\_\_\_  
 Notes: \_\_\_\_\_

### Product Description

The LOLN direct/indirect LED Linear System is a slim modern architectural pendant for general lighting applications. Optional Performance up light bat wing distribution and Baffle or Louver for down light shielding. Available in standard 4' and 8' fixtures joinable into continuous runs.

### Construction

The LO is constructed out of die formed steel and aluminum and is available in a variety of standard powder coat or custom color finishes. Lenses are high light transmission UV stable acrylic. Mounting to grid or drywall ceilings via fully adjustable aircraft cables.

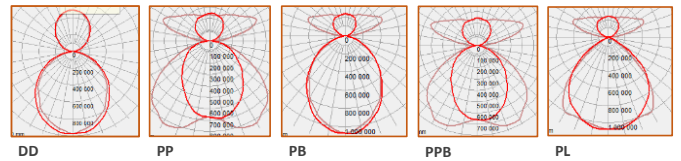
### Light Source

Light source comprised of mid power LEDs that are thermally engineered to ensure optimal efficacy's over 100 lumens per watt and 80+ CRI. Luminaire light output guaranteed to achieve a minimum of 70% luminaire output over 100,000 hours at typical 25 deg. C operating conditions. LED components and luminaires are compliant with IESNA LM80.

### Certification and Warranty

Luminaires carry a limited 5-year warranty and all luminaires are UL listed for indoor damp rated lighting applications.

### Performance



Light Level	Lumens	Watts	Lumens/Watt
750F nominal	3100	27	115
1000F nominal	4250	38	112
1350F nominal	5750	55	105

*Fixture Data for LOLN-D-D-37-35K, Reduce Lumens/Efficacy by 5% for O1 Direct only Distribution. Lumens/Efficacy multiplier 0.97 for 3000K and 1.03 for 4000K. Consult Factory for Louver and Baffle Photometry. Test data may vary by +/- 5%*

### Fixture Options

Example LOLN-P-LB-37-1000F-35K-010-M-1C-A4-W-ST-NA-16

Series	LOLN	LO Linear Pendant	LOLN
Optics Up	D P N	Standard Flat Diffuse Lens Performance Optic None – No Up Light	
Optics Down	D P B PB LS LB	Standard Flat Diffuse Lens Performance Lens Black Baffle Performance Lens/Baffle Louvre Semi Specular Louvre Black	
Distribution	37 01	30%up / 70%dn 100% down	
Light Level	750F 1000F 1350F	750lm per ft 1000lm per ft 1300lm per ft*	
Color	30K 35K 40K	3000K 3500K 4000K	
Driver	010 STD	0-10 volt Dimming STD Switched Driver	
Power	M	120-277 Universal	
Circuits	1C 2C	Single Circuit 2 Circuit Up/Down-	
Mounting	A4 A10	Aircraft Cable 4' Adjustable Aircraft Cable 10' Adjustable	
Mounting Color	W B	White Cords and Canopies (STD) Black Cords and Canopies	
Ceiling	G1 G9 GS ST	15/16" Grid Ceiling 9/16" Grid Ceiling Slot Grid Ceiling Drywall/Structure	
Finish	WH BK SM CC	White Texture Powder Coat Black Texture Powder Coat Silver Metallic Powder Coat Custom Color Finish	
Length	04 08 xx	4' Individual Fixture 8' Individual Fixture Row Length (4' Increments)	
Options		Consult Factory	

### Optics

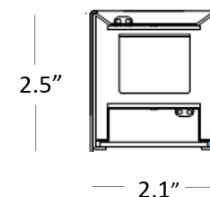


D-LENS

B-BAFFLE

L-LOUVRE

### Dimensions



Due to ongoing product improvements, specifications are subject to change without notice. Consult website for latest information. [www.mojoillum.com](http://www.mojoillum.com)

© MOJO ILLUMINATION LLC 2019

Rev 5/12/20

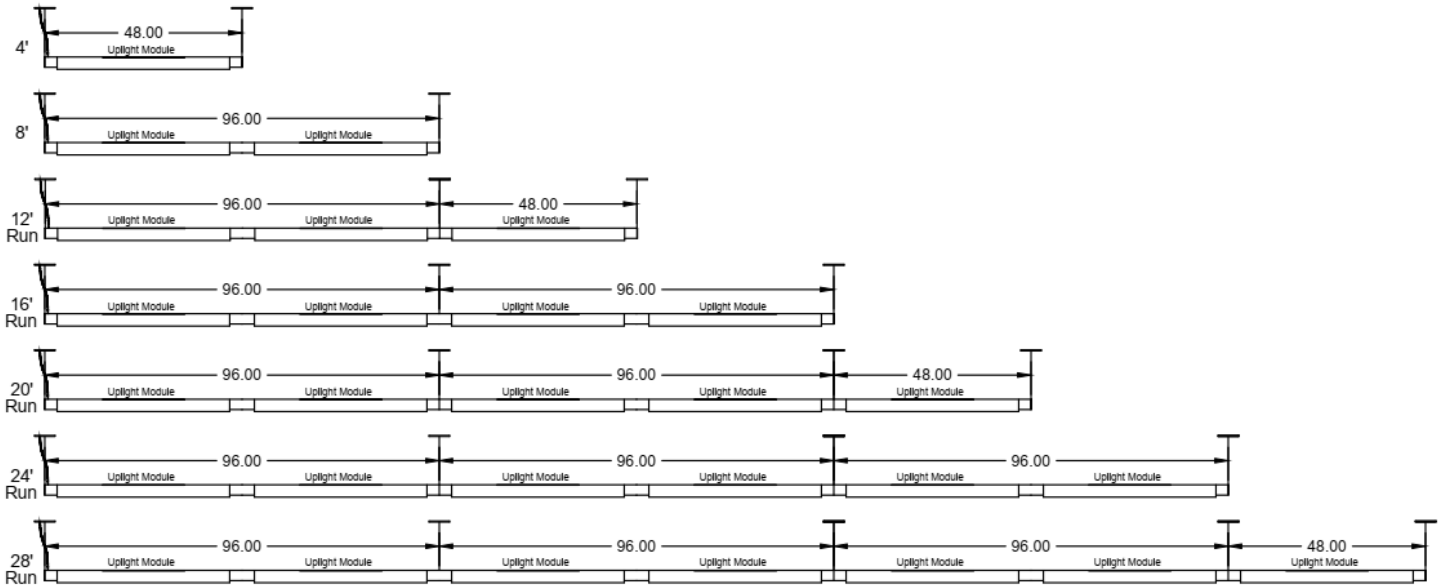
# LOLN Linear

## Suspended LED Luminaire

For Ambient Lighting

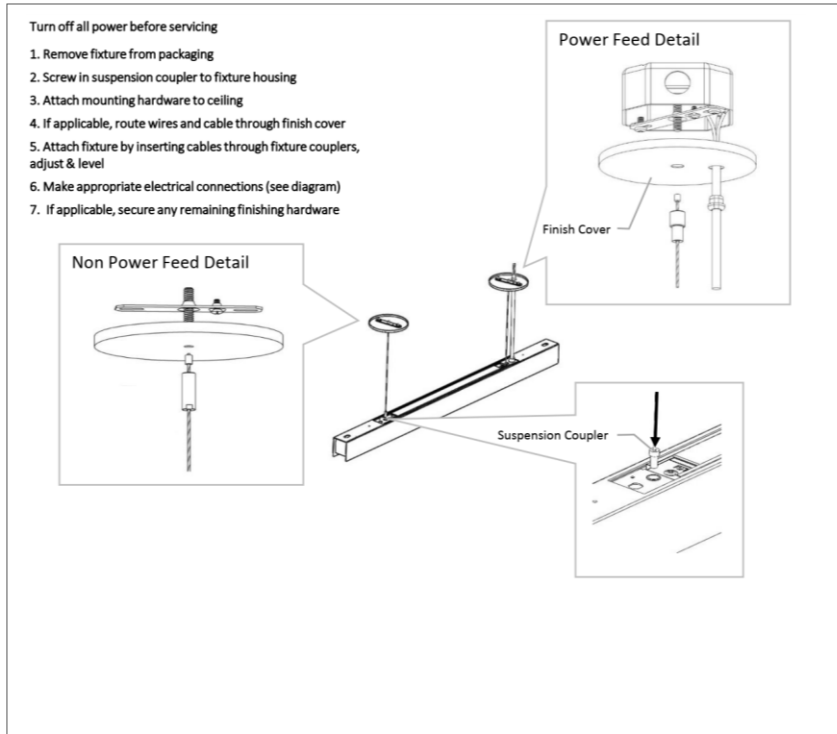


### Fixture / Row Lengths



### Mounting

#### ST- Drywall / Structure



#### G1, G9, GS - Grid Ceiling

